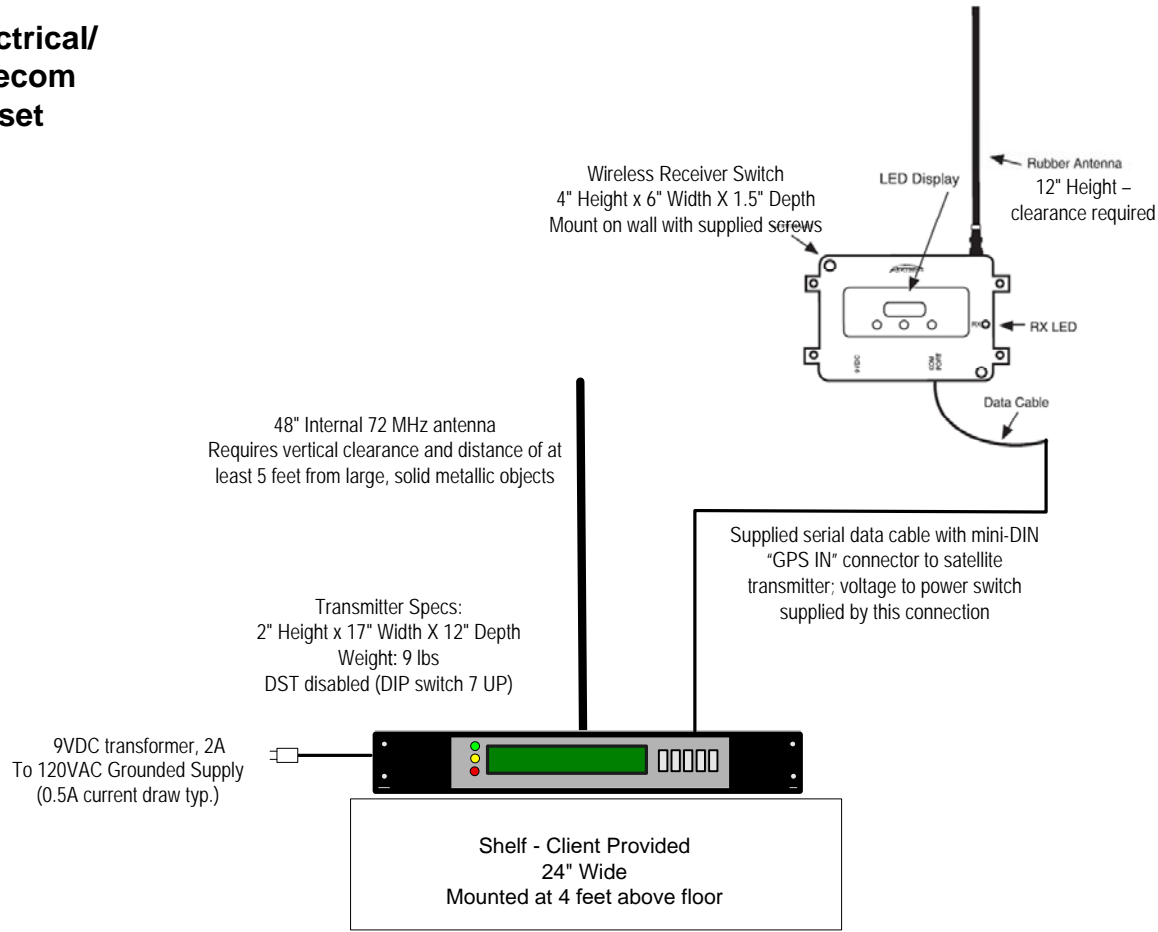


Typical System Setup

Primex XR01IR 1 Watt Repeater Transmitter

Electrical/ Telecom Closet



Typical System Setup – Not to Scale

Summary of Operation

1. Repeater switch receives time broadcast from primary transmitter
2. Time is input via mini-DIN connection into satellite transmitter
3. Transmitter Time is set
4. Transmitter broadcasts out 72MHz signal to set clocks
5. When batteries are put in a clock (or AC powered clocks are plugged in), clocks search for the 72MHz signal
6. Clocks set when 72MHz signal is decoded.

Notes

- Repeater switch needs to be mounted to receive adequate signal from the primary transmitter, and set to match the broadcast channel of that transmitter
- Repeater switch antenna needs to be vertical for best possible reception
- Transmitter antenna needs to be mounted flush to the transmitter base
- A four channel or more spacing is recommended between adjacent Transmitters
- 120VAC Outlet within 5 feet from Transmitter
- DO NOT HANG OR SET CLOCKS UNTIL TRANSMITTER IS IN PLACE AND POWERED