

XR Classic Digital Flush Mount Quick Install Guide

Installation Requirements

Refer to the Important Safety Instructions before installing, operating or performing maintenance of clocks/timers.

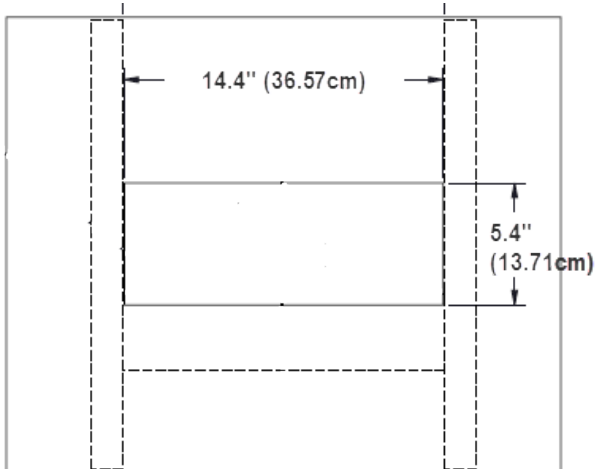
Any damage to the clock/timer due to improper wiring voids the warranty. It is at Primex's discretion as to whether damage to the clock/timer was caused by improper wiring.

Required materials AC-powered models (not supplied)

- One standard 2x4 cut to 14.5 inches (36.83 cm)
 - Digital Clock Model: one square shallow 4x4 (10.16 cm x 10.16 cm) junction box
 - Digital Timer Model: two square shallow 4x4 (10.16 cm x 10.16 cm) junction boxes
 - Four drywall anchors
-

How to install a Flush Mount Digital Clock/Timer

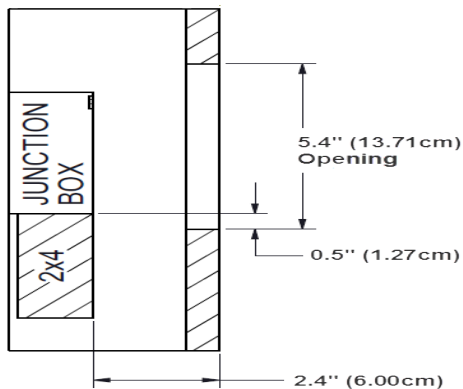
1. Cut a hole in the wall surface that is 5.4 inches (13.71 cm) x 14.4 inches (36.57 cm) between two studs.



NOTE

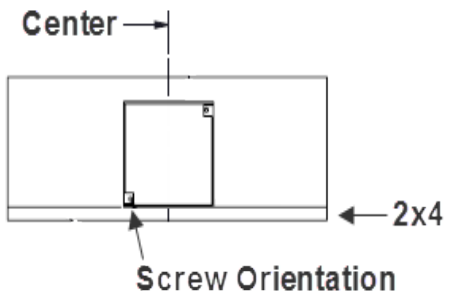
Clearance within the wall should be at least 2.5 inches (6.35 cm) deep to allow for the clock assembly.

2. Secure a standard 2x4 cut to 14.5 inches (36.83 cm) between the two studs located 0.5 inch (1.27 cm) above the top of the bottom of the opening and 2.4 inches (6.0 cm) from the front of the opening.

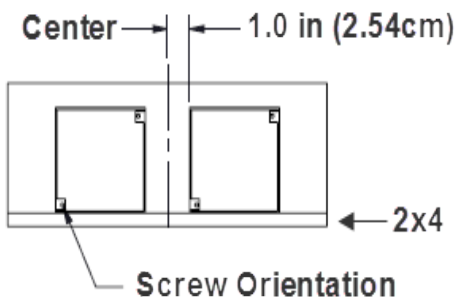


3. Mount the junction box(es) as specified below.

- Digital Clock Model: Mount one junction box in the center of the opening and flush with the front side of the 2x4.



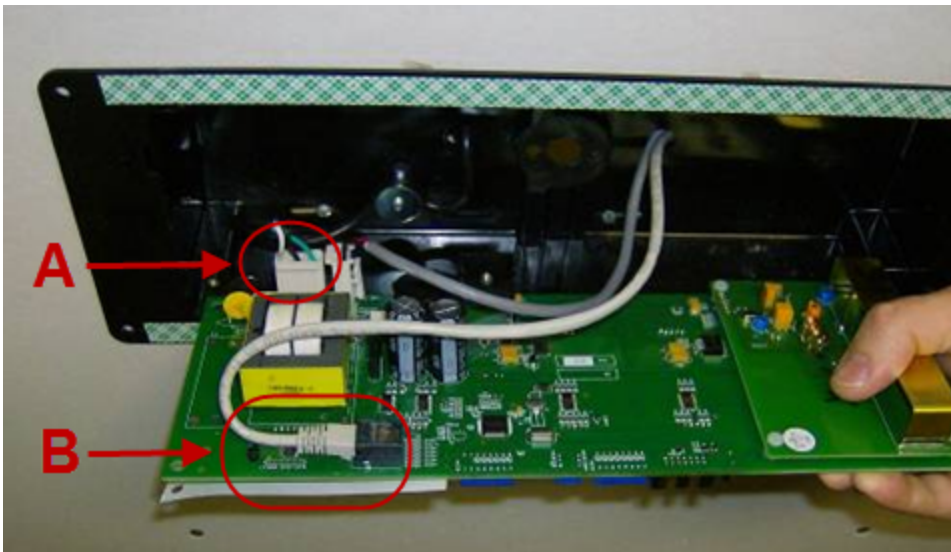
- Digital Timer Model: Mount two junction boxes, each to be 1 inch (2.54 cm) from the center of the opening and flush with the front side of the 2x4.



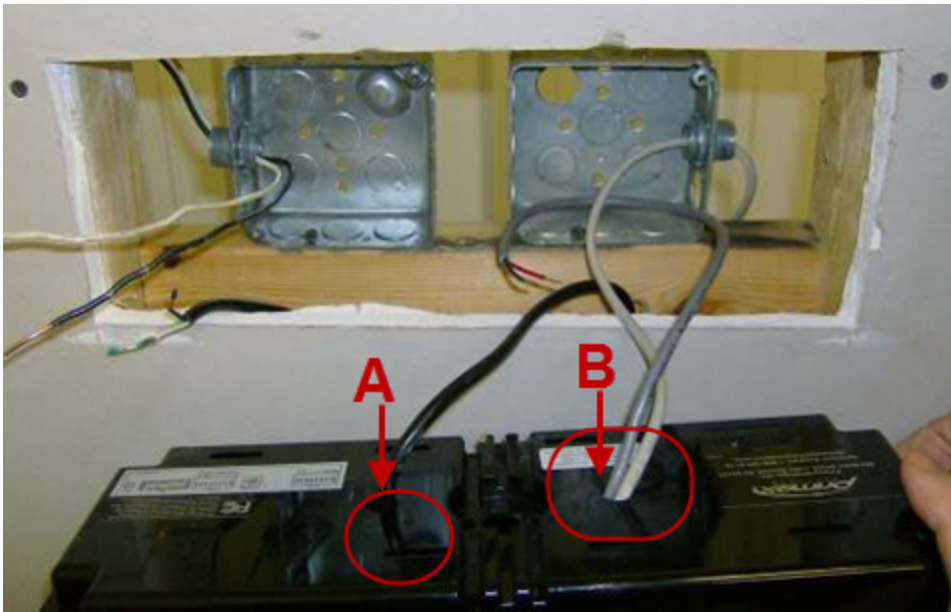
4. Remove the clock face plate and set aside.
5. Remove the four screws that secure the circuit board.



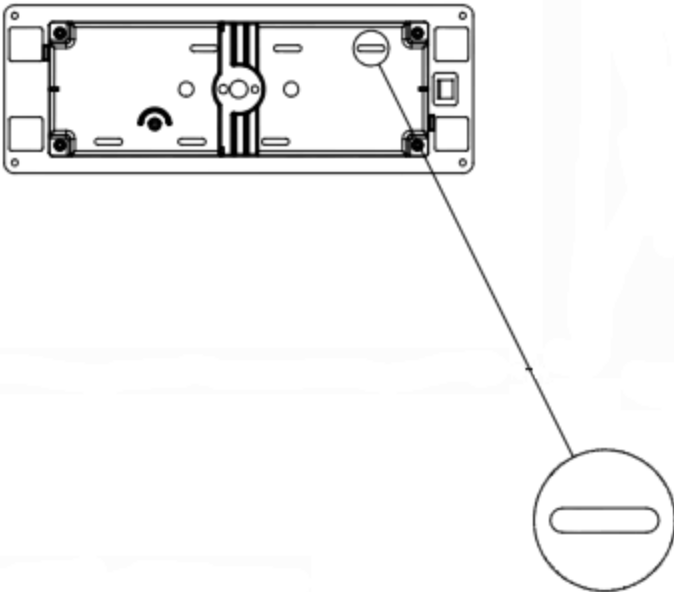
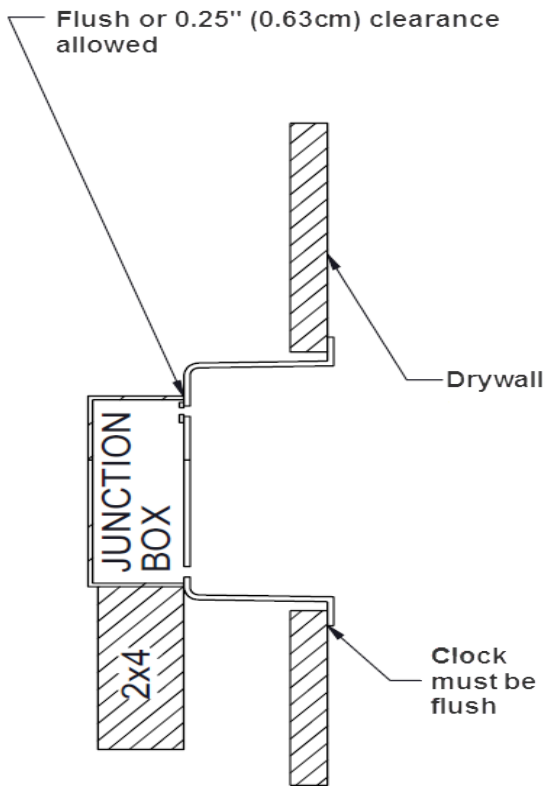
6. Disconnect the circuit board power connector (A) and timer input connector (B).



7. Route the AC power wire (A) through the back of the clock.
8. For timer models only, route the timer input wires (B) through the back of the clock.



9. Wire the AC power.
10. For timer models only, wire the timer input as specified below.
 - Code Blue Timer Input: wire to designated code blue system and timer control switch.
 - Elapsed Timer Input: wire to timer control switch.
11. Place the clock assembly into the wall opening. The clock assembly is to be flush on the wall and the junction box holes must line up with the clock assembly slots.



NOTE

If the clock assembly does not line up with the junction box it is possible to increase the opening up to 0.3 inch (14.7 inches total) on either side as well as 0.2 inches (5.6 inches total) on the top or bottom. If these adjustments still do not allow the clock assembly to be mounted to the junction box correctly, it is required to remount the junction box.

12. Install drywall anchors (not supplied) to align with the four fastening holes located on the front of the clock assembly.
 13. Mount the clock assembly to the junction box(es), using the screws supplied with the junction box and the #8 washers (supplied).
 14. Reconnect the circuit board power cord connector and the timer input connector that was disconnected in step 6.
 15. Refasten the circuit board using the four screws previously removed.
 16. Peel off the protective checker board film from the two strips of tape and attach the face plate to the clock assembly.
 17. Secure the clock using the four mounting holes located on the front of the clock and fasten to the wall mounting surface (supplied).
-

Support

To obtain additional technical documentation for Primex products, visit the Support area on our website at www.primexinc.com

You may require Technical Support when you have questions about product features, system configuration, or troubleshooting. Support services are delivered in accordance with your organization's support agreement, end user licenses agreements, and warranties, either with a Primex Certified Sales and Service Partner or directly with Primex.

Primex, Inc.

Primex is a leading provider of synchronized time and environmental monitoring solutions. Our solutions automate and maintain facility compliance, increase efficiencies, enhance safety and reduce risk for organizations in the healthcare, education, manufacturing and government vertical markets.

Worldwide Headquarters

965 Wells Street, Lake Geneva, WI 53147

Phone: 1-262-729-4853 | email: info@primexinc.com | www.primexinc.com