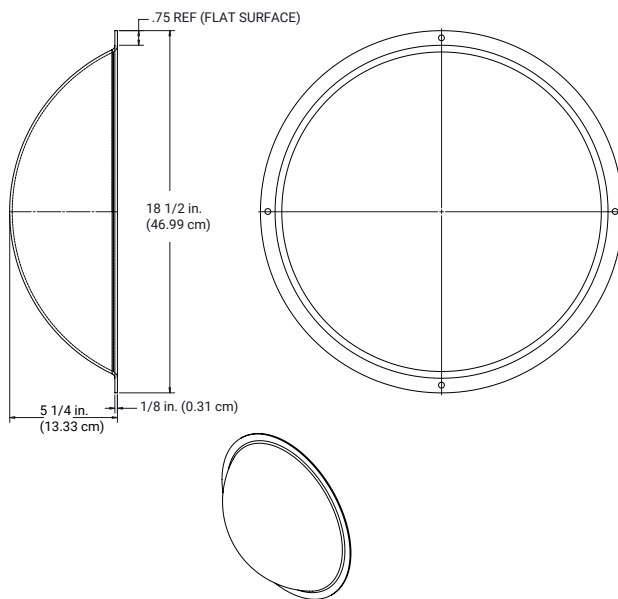


# Analog Clock Polycarbonate Guard Install Guide (14503-INST)

## Specifications

For use with 9" (22.86 cm) and 12.5" (31.75 cm) analog clocks	
Part Number	14503
Material	Polycarbonate
Color	Clear
Thickness	1/8 in. (0.31 cm)
Diameter	17 in. (43.18 cm)
Depth	5 1/4 in. (13.33 cm)
Outside Diameter	18 1/2 in. (46.99 cm)



## Install guard

Mounting holes are not pre-drilled and a drill bit for use with plastic is required (not supplied).

1. Center guard enclosure over the mounted clock and level the enclosure; use of a torpedo level is recommended.
2. Mark the four mounting holes; top, bottom, and left and right side of the enclosure flange.
3. Drill holes into flange at the four marked locations; carefully apply pressure to avoid cracking the material.

If wall anchors are used, drill hole size per wall anchor instructions.

4. Align the four mounting holes over the mounted clock and attach the enclosure to a wall or other flat surface with four screws.

## Polycarbonate guard cleaning instructions

Gently wash with a solution of mild soap and lukewarm water, using a soft, grit-free cloth or sponge. Rinse with clean water to remove any residue and dry surface with a soft cloth.